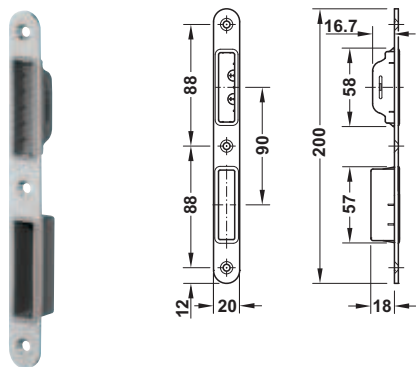


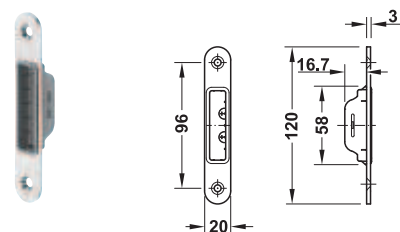
**KFV Flat striking plate**



- > Area of application: For wooden frames, for rebated or flush doors, for magnetic mortice locks
- > Version: With plastic lining and magnetic insert, round
- > Mounting: For DIN left and DIN right hand use

Material	Finish/colour	Cat. No.
Stainless steel	Satin, grey plastic lining	911.39.513

**KFV Flat striking plate**



- > Area of application: For wooden frames, for rebated or flush doors, for magnetic mortice latch locks
- > Version: With plastic lining and magnetic insert, round
- > Mounting: For DIN left and DIN right hand use

Material	Finish/colour	Cat. No.
Stainless steel	Satin, grey plastic lining	911.39.512

**KFV Lining**

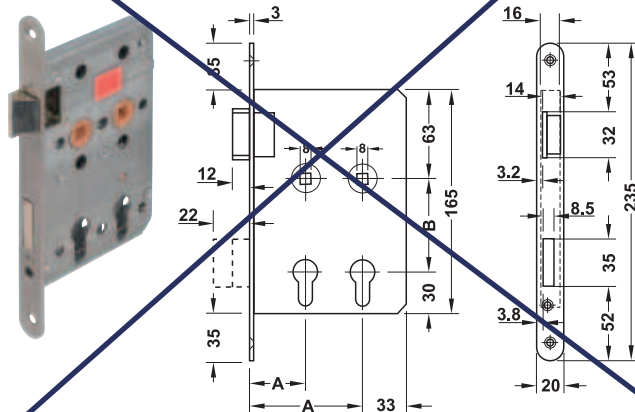


- > Area of application: For flat striking plate for magnetic mortice latch locks
- > Version: With magnetic insert

Material	Colour	Cat. No.
Plastic	Grey	911.39.514

**Mortice lock, profile cylinder**

With two backsets



The lock is particularly suitable for doors that are supposed to close as tightly as possible. Direct connection with the door leaf is avoided. The two consecutive backsets allow the use of half fitting sets and single cylinders. Only drillings that do not penetrate the door panel and are not positioned on one axis are required on each side of the door.

- > Area of application: For rebated (forend 20 mm) wooden doors, suitable for radiation protection doors, test rooms, directors' rooms, consulting rooms etc.
- > Material: Forend: Stainless steel, latchbolt, deadbolt and lock case: Steel, lever follower: Malleable cast
- > Type of locking: Prepared for profile cylinder
- > Deadbolt: 2 turn
- > Version: With two backsets
- > Forend: Round
- > Lever follower: 8 mm
- > Distance B: 72 mm

Forend width mm	Mounting	Satin stainless steel
Backset A 40/80 mm 20	DIN left	911.14.003
	DIN right	911.14.004

Striking plates ▶ BB 4.55



4

Mortice Locks for Hinged Doors

DGH-B 2015, HDE-en, 06/15; Dimensional data not binding. We reserve the right to alter specifications without notice.